



Installation manual

Cabinaid Essential



Parts list

Your Cabinaid Essential box contains:

- Installation manual
- Cabinaid cup (storage compartment)
- Cabinaid climate control cover
- Cabinaid lid
- Cabinaid AED hanging bracket
- Cabinaid lock bracket (If ordered)
- Cabinaid divider plates (If ordered)
- Fastening materials, see below



Grip bag with 3x Wall screw & 3x Wall plug



4x or 6x Hexagon cap screw

(Depending on what version has been ordered, 2x used for the ventilation cover, 2x used for the AED bracket and 2x for the Cabinaid lock bracket (optional))



1x P-clip with one small tapping screw, to attach the lid to the cup

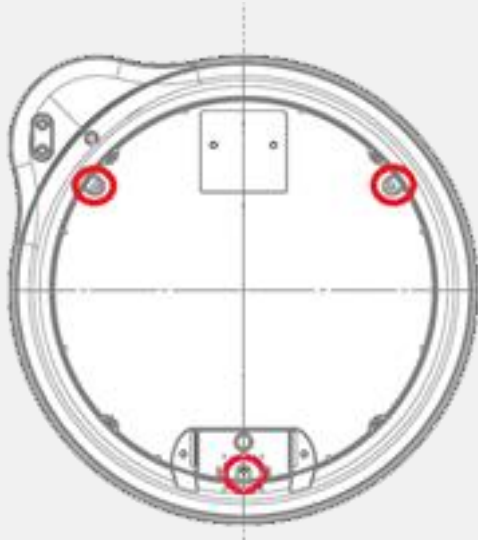
Determining the location of the AED cabinet

Carefully determine where you want to hang your Cabinaid AED cabinet. First make sure that the desired location is suitable for the installation of the cabinet. It may be helpful to consult the fire and safety regulations to find the most suitable location. It is best to hang the top of the cup at a height of about 170 cm. To easily be within reach for most people. If a brick wall is used as the mounting location, check that the wall anchors have been used before mounting the cabinet.

In addition, it is best to hang the Cabinaid AED cabinet out of direct sunlight and weather influences when possible. Although the AED cabinet is climate proof, it is the best way to keep the conditions for the AED inside the cabinet as stable as possible.

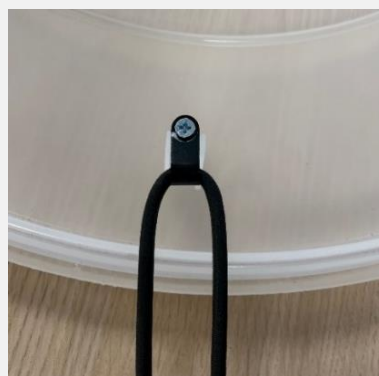
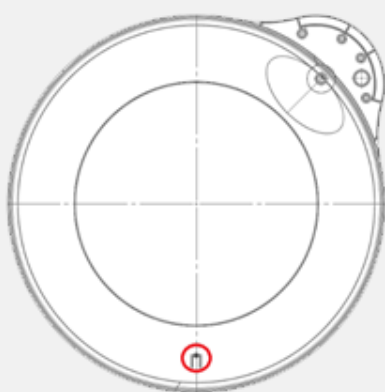
Installation of the Cabinaid AED cabinet

Step 1: Place your Cabinaid AED cabinet in the correct position against the wall. Use a marker to indicate the location of the 3 boreholes. Please use the image below as reference for the locations of the holes and the correct orientation. After marking the holes put the Cabinaid cup compartment aside and use a drill to make the holes in the wall. If applicable, place the wall plugs in the holes. At last, align the back of the Cabinaid cup with the previously drilled holes and mount the Cabinaid AED cabinet firmly against the wall.



Step 2: Place the climate control cover into the notch at the bottom of the Cabinaid Essential. Fasten the cover by using 2 hexagon cap screws. Then use the P-clip and the small cross head screw to attach the elastic band leading from the climate control cover to the Cabinaid lid. Please use the image below to see the allocated point where the screw needs to be placed. The right side picture shows how it should look when the elastic band is attached to the cover.

Please be aware that the elastic band is not tangled before attachment



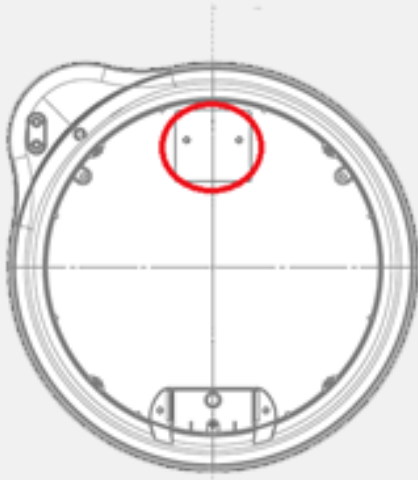
Step 3: Place the just attached Cabinaid lid on the Cabinaid cup and push firmly. You should hear some audible clicks when the lid has sealed off the cup compartment. As a final check: firmly apply pressure all-round the edge of the cover to check if the lid is closed.

Your Cabinaid AED Cabinet is now ready for safe AED storage!

Installation of the AED hanging bracket

The AED hanging bracket is supplied as standard in your Cabinaid AED Cabinet. The following instruction will help you optimally install the hanging bracket.

Step 1: Open the Cabinaid AED cabinet by pulling the handle and removing the lid from the storage compartment. The hanging bracket is already attached to the indicated location using 2x hexagon cap screws. See the images below for your reference.



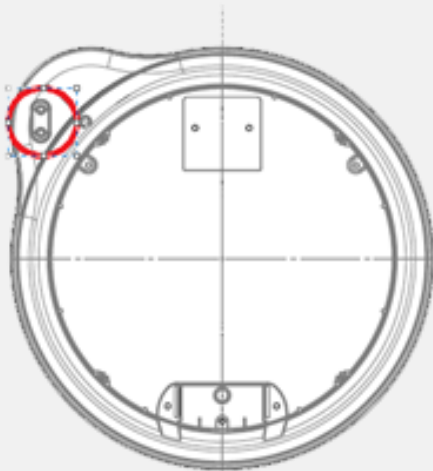
Step 3: By loosening and tightening the hexagon cap screws the bracket can be moved up and down. You can use this to adjust the hanging bracket to the desired height.

Installation of the optional lock bracket

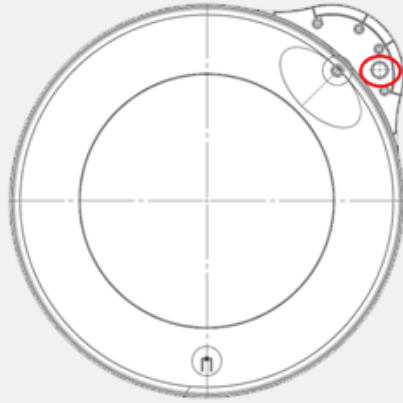
If you purchased the optional lock bracket with your Cabinaid AED cabinet it is probably already installed. If not, please follow the following instruction for installation.

Step 1: Open the Cabinaid AED cabinet by pulling the handle and remove the lid from the storage compartment.

Step 2: Take the lock bracket and attach it to the allocated location using two hexagon cap screws that come with the lock bracket. Please use the images below as a reference.



Step 3: Use a drill to drill a hole into the handle of the Cabinaid lid. It is best to drill from the back through the handle at the indicated location. See the image below for the location of the hole.



Step 4: Align the drilled hole in the handle with the lock bracket and close the Cabinaid AED cabinet. You are now able to attach a locking mechanism of choice to the Cabinaid.

Installation of the optional divider plates

When you purchased the optional divider plates with your Cabinaid AED cabinet, please follow these instructions to install the divider plates.

Step 1: Open the Cabinaid by pulling the handle and remove the lid from the storage compartment.

Step 2: Take the divider plates and place them at the indicated locations using 2 hexagon cap screws and two washers per plate to fasten the plates. The total of 4 screws and 4 washers come with the 3 divider plates. Please use the can use the image below as a reference.





Cabinaid is a brand of **AED Cup bv**
Celsiusstraat 15 · 6003 DG Weert · The Netherlands
T. +31 (0)495 760156 · info@cabinaid.com · www.cabinaid.com